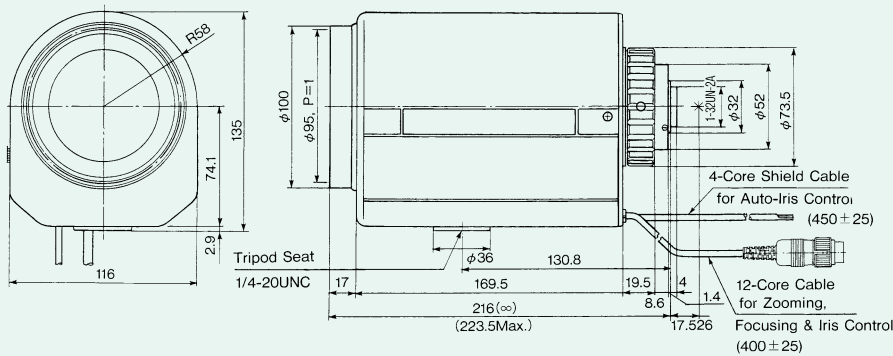


1/2 Format Motorized Zoom (Pre-set/Auto-Iris)

H20ZME-P(C61224)

C-MOUNT
Unit:mm



Specification

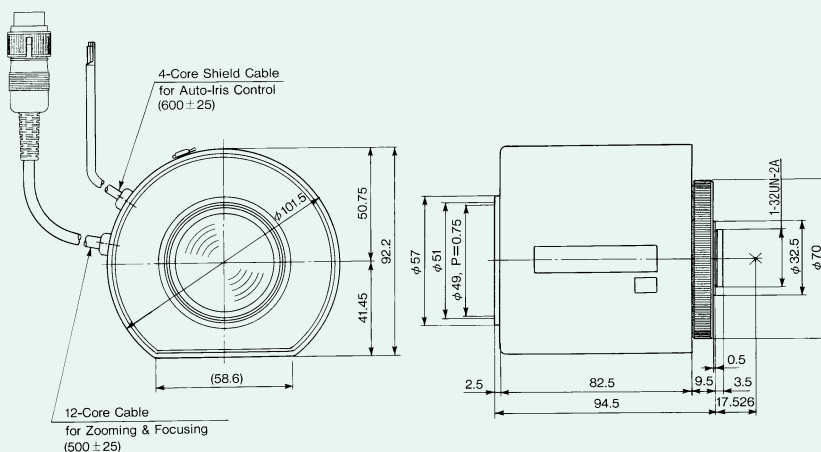
Focal Length	12 ~ 240mm	
Max. Aperture Ratio	1:1.6 ~ 2.8	
Iris Range	F1.6 ~ 720	
Operation Method	Iris	Auto
	Focus	Motorized
	Zoom	Motorized
1/4 Format Angle of View	Horizontal	17.17 ~ 0.88
	Vertical	12.86 ~ 0.66
1/3 Format Angle of View	Horizontal	22.95 ~ 1.17
	Vertical	17.17 ~ 0.88
1/2 Format Angle of View	Horizontal	30.78 ~ 1.56
	Vertical	22.95 ~ 1.17
Min. Object Distance	2.8m	
Back Focal Length	19.82mm	
Flange Back Length	17.526mm	
Filter Size	φ 95mm P=1.0mm	
Applicable Temp. Range	-10°C ~ +50°C	
Dimensions	116×135×216mm	
Weight	2620g	
Metering Method	Continuously Adj.	
Supply Vol. & Current	DC8 ~ 15V Max. 50mA	
Input Signal	VS or V Signal	
Iris Accuracy	±20% at V Signal Level	
Sensitivity Adj.	0.5 ~ 1.0Vp at V Signal Level	
Input Impedance	High Impedance	
Response Speed	Approx. 1.5 sec.	
Remarks	Video Iris	

		Focus	Zoom
Control Voltage & Current	Type1	DC6V Max. 90mA / Motor	DC6V Max. 90mA / Motor
	Type2	DC±12V Max. 55mA / Motor	DC±12V Max. 55mA / Motor
	Type3	DC±6V Max. 90mA / Motor	DC±6V Max. 90mA / Motor
	Type5	DC12V Max. 55mA / Motor	DC12V Max. 55mA / Motor
	Operation Speed	Type1	Approx. 10 sec.
Type2		Approx. 10 sec.	Approx. 8 sec.
Type3		Approx. 10 sec.	Approx. 8 sec.
Type5		Approx. 10 sec.	Approx. 8 sec.

2/3 Format Motorized Zoom (Pre-set/Auto-Iris)

C6ZME-P(C31221)

C-MOUNT
Unit:mm



Specification

Focal Length	12.5 ~ 75mm	
Max. Aperture Ratio	1:1.8	
Iris Range	F1.8 ~ 720	
Operation Method	Iris	Auto
	Focus	Motorized
	Zoom	Motorized
1/4 Format Angle of View	Horizontal	16.06 ~ 2.75
	Vertical	12.06 ~ 2.06
1/3 Format Angle of View	Horizontal	21.38 ~ 3.66
	Vertical	16.06 ~ 2.75
1/2 Format Angle of View	Horizontal	28.41 ~ 4.87
	Vertical	21.38 ~ 3.66
Min. Object Distance	1m	
Back Focal Length	18.41mm	
Flange Back Length	17.526mm	
Filter Size	φ 49.0mm P=0.75mm	
Applicable Temp. Range	-10°C ~ +50°C	
Dimensions	101.5×92.2×94.5mm	
Weight	655g	
Metering Method	Continuously Adj.	
Supply Vol. & Current	DC8 ~ 15V Max. 35mA	
Input Signal	VS or V Signal	
Iris Accuracy	±20% at V Signal Level	
Sensitivity Adj.	0.5 ~ 1.0Vp at V Signal Level	
Input Impedance	High Impedance	
Response Speed	Approx. 1.5 sec.	
Remarks	Video Iris	

		Focus	Zoom
Control Voltage & Current	Type1	DC6V Max. 45mA / Motor	DC6V Max. 45mA / Motor
	Type2	DC±12V Max. 40mA / Motor	DC±12V Max. 40mA / Motor
	Type3	DC±6V Max. 50mA / Motor	DC±6V Max. 50mA / Motor
	Type5	DC12V Max. 35mA / Motor	DC12V Max. 35mA / Motor
	Operation Speed	Type1	Approx. 5.5 sec.
Type2		Approx. 5.0 sec.	Approx. 5.0 sec.
Type3		Approx. 5.0 sec.	Approx. 5.0 sec.
Type5		Approx. 5.0 sec.	Approx. 5.0 sec.